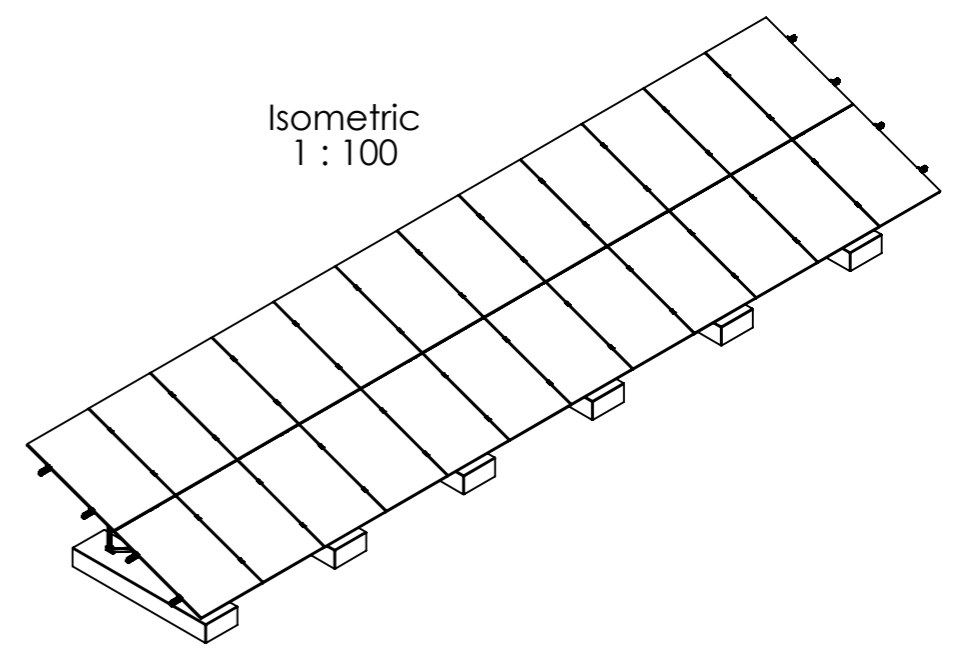



Acc. to the installation manual, the clamp position and the modules have to be installed in a symmetrical arrangement to the beam length.



24 modules (2x12 Portrait)
 for module width ≤ 1144mm

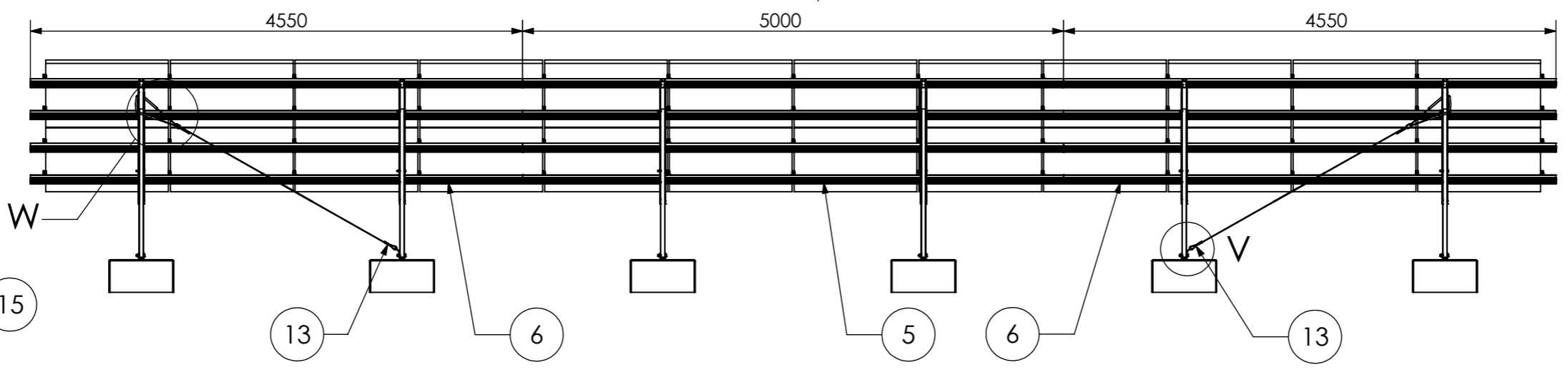
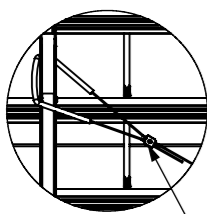
 20 modules (2x10 Portrait)
 for module width 1144-1303mm

Peak velocity $q_p[z]$: 0.67kN/m²
 Ground snow load S_k : 1.75kN/m²

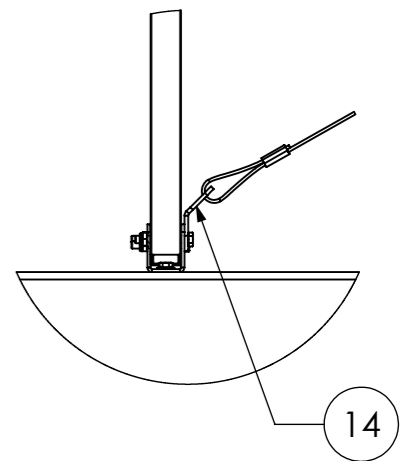
	K2 Systems GmbH Haldenstr. 1 71272 Renningen Germany +49 7159 42059-0			Designation: Data sheet N-Rack 2.20 Concrete 2x12 S	
	Name	Date	Material:	Item no.:	A3
Designed	B. Koch	17.01.2024	-	-	All dimensions in mm
Approved	B. Koch	30.06.2025	Surface: -	Drawing no.: -	
Last change	A. Soumpalas	20.03.2026	Weight: -	Scale: 1:50	Sheet 1 of 1

This drawing is the sole property of K2 Systems GmbH. It is protected by copyright and may only be copied, reproduced or distributed to a third party with explicit permission!

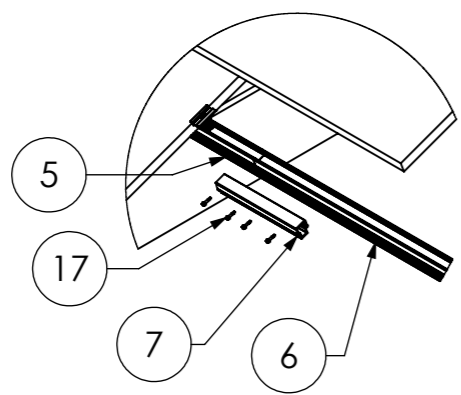
Detail W
1 : 25



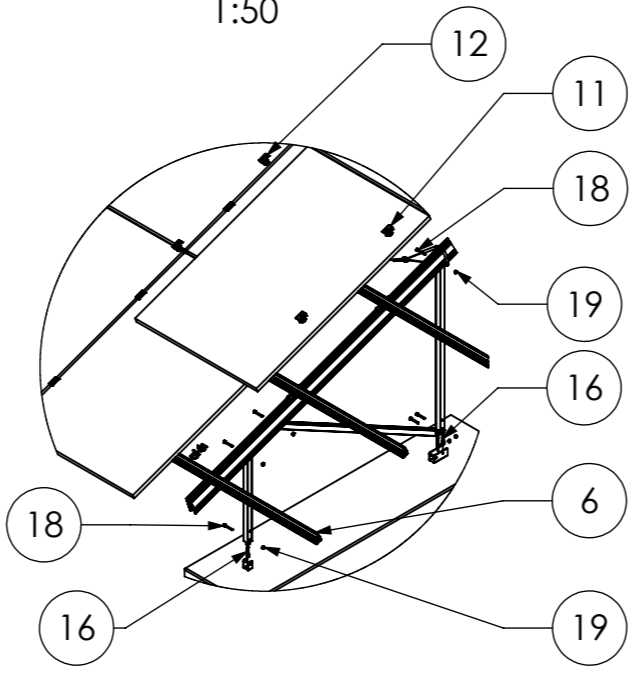
Detail V
1 : 10



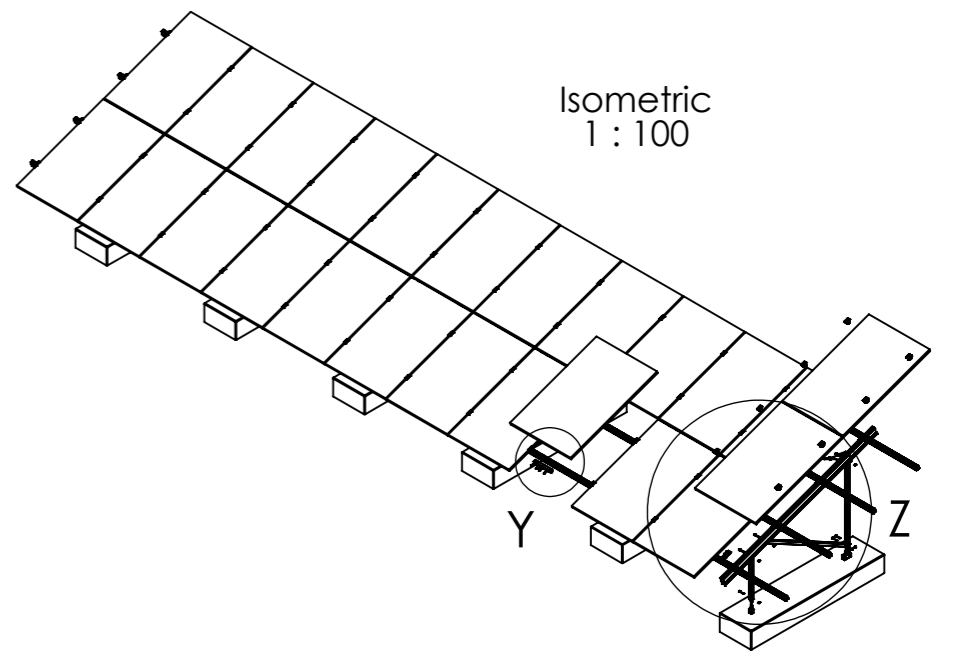
Detail Y
1 : 20



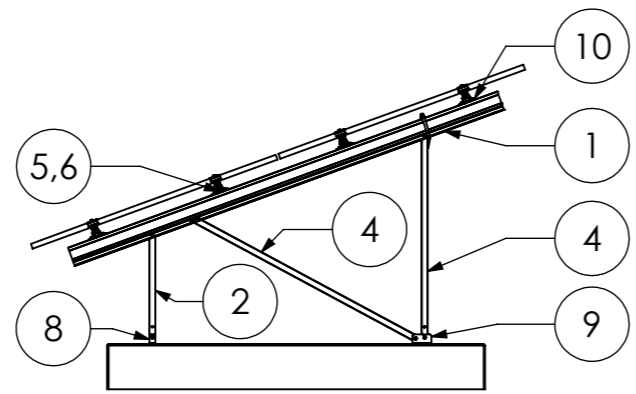
Detail Z
1 : 50



Isometric
1 : 100




Pos.No.	Designation
1	Beam N-Rack 3020
2	3-Hole Brace N-Rack 715
3	3-Hole Brace N-Rack 1370
4	2-Hole Brace N-Rack 1696
5	CrossRail 73 - 5m
6	CrossRail 73 - 4,55m
7	CrossRail 73 Connector
8	N-Rack Foot front
9	N-Rack Foot back
10	Climber 36/50 Set
11	EC Clamp Set
12	MC Clamp Set
13	Gripple Bracing
14	Gripple Angle
15	Gripple Lock
16	Heco Multi-Monti 12 x105 - A4
17	Self-tapping screw 5,5 x 25 - A2
18	Hexagon head bolt M10 x 70 ISO 4014 - A2-70
19	Hexagon nut M10 - DIN 985 - A2-70



24 modules (2x12 Portrait)
for module width ≤ 1144mm

20 modules (2x10 Portrait)
for module width 1144-1303mm

Peak velocity $q_p[z]$: 0.67kN/m²
Ground snow load S_k : 1.75kN/m²

	K2 Systems GmbH Haldenstr. 1 71272 Renningen Germany +49 7159 42059-0			Designation: Data sheet N-Rack 2.20 Concrete 2x12 S										
	<table border="1"> <tr> <th>Name</th> <th>Date</th> <th>Material:</th> </tr> <tr> <td>Designed B. Koch</td> <td>17.01.2024</td> <td>-</td> </tr> <tr> <td>Approved B. Koch</td> <td>30.06.2025</td> <td>Surface: -</td> </tr> <tr> <td>Last change A. Soumpalas</td> <td>20.03.2026</td> <td>Weight: -</td> </tr> </table>	Name	Date	Material:	Designed B. Koch	17.01.2024	-	Approved B. Koch	30.06.2025	Surface: -	Last change A. Soumpalas	20.03.2026	Weight: -	Item no.: -
Name	Date	Material:												
Designed B. Koch	17.01.2024	-												
Approved B. Koch	30.06.2025	Surface: -												
Last change A. Soumpalas	20.03.2026	Weight: -												
Drawing no.: -			All dimensions in mm Sheet 1 of 1											
This drawing is the sole property of K2 Systems GmbH. It is protected by copyright and may only be copied, reproduced or distributed to a third party with explicit permission!														